



1201 Marcus St. • Fairmont, MN 56031
 Phone: (507) 238-9051 • 800-533-2819 • FAX (507) 238-9998

Model 9000 Electric Condenser

OPTIONS:

- 12 or 24 Volt.
- Low Profile Motors (Standard) or High Performance Motors (Optional).
- Roof Overhang Mounting.
- Shock Mounts.

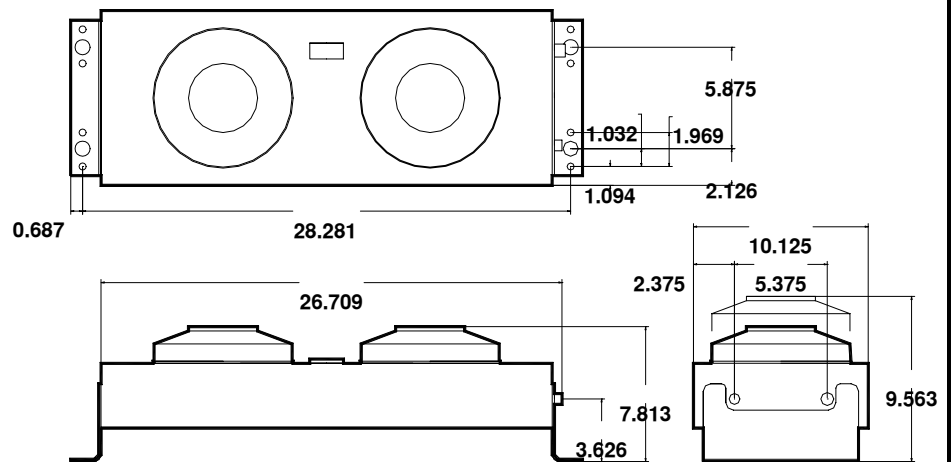
FEATURES:

- Housing is made of 18 gauge stainless steel.
- Side mounting brackets as shown.
- Connections: Use A/C = #8 FOR and #6 FOR Fittings.
- Unit shown with standard mounting brackets.
 Height of Standard motor = 7.8" ; Height of High Performance = 9.6"



SPECIFICATIONS:

Condensing Capacity (BTU/h)	30000
Air Flow (CFM)	850
Condensing Capacity (High Perf.) (BTU/h)	35000
Air Flow (CFM) High Perf.	1100
Current -12V (Amps)	11 (22-HP)
Current-24V (Amps)	6 (10 HP)
Weight (Lbs.)	25 (30 HP)
*See "Specifications at a Glance" for more detail.	
**Comment: Oil Heat Capacity usually limited by horsepower provided by machine.	



All illustrations and specifications are not binding in detail, designs are subject to modifications and improvements where necessary.



1201 Marcus St. • Fairmont, MN 56031
 Phone: (507) 238-9051 • 800-533-2819 • FAX (507) 238-9998

Model 9001 Electric Condenser

OPTIONS:

- 12 or 24 Volt.

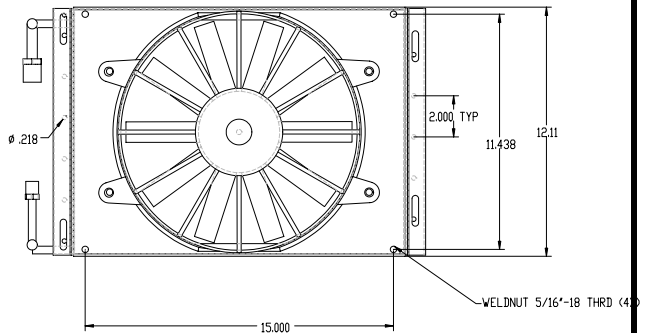
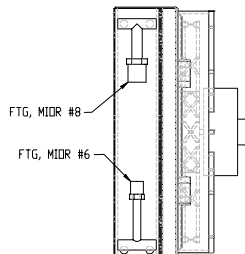
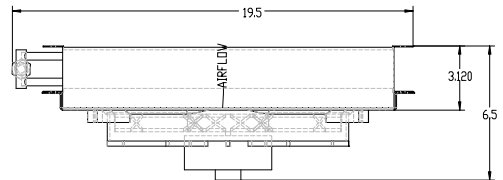
FEATURES:

- Housing is made of 16 gauge steel with a black powder coat finish.
- 11" Reversible fan.
- Intake screen and mounting straps.
- Electrical and mounting hardware, included.
- Connections: Use A/C = #8 FOR and #6 FOR Fittings.



SPECIFICATIONS:

Condensing Capacity (BTU/h)	2500
Air Flow (CFM)	650
Current -12V (Amps)	8
Current-24V (Amps)	5
Weight (Lbs.)	23
*See "Specifications at a Glance" for more detail.	
**Comment: Oil Heat Capacity usually limited by horsepower provided by machine.	



All illustrations and specifications are not binding in detail, designs are subject to modifications and improvements where necessary.



1201 Marcus St. • Fairmont, MN 56031
 Phone: (507) 238-9051 • 800-533-2819 • FAX (507) 238-9998

Model 4050 Electric Condenser

OPTIONS:

- 12 or 24 Volt.

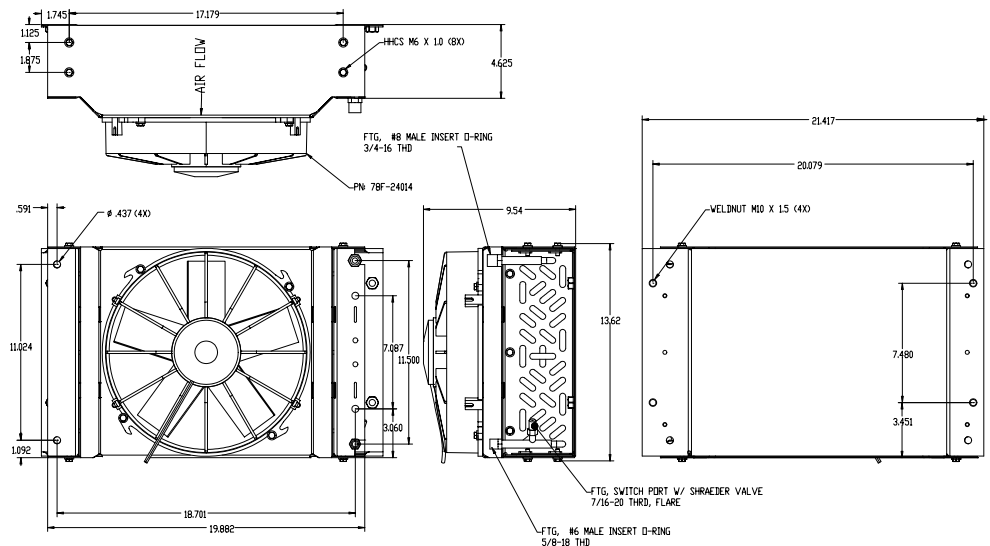
FEATURES:

- Housing is made of 16 gauge steel with a black powder coat finish.
- Long Life 13" Suction fan.
- Various mounting options.
- OEM Approved.
- Switch port w/ flare 7/16"-20 thread and Shraeder valve.
- Connections: Use A/C = #8 FOR and #6 FOR Fittings.



SPECIFICATIONS:

Condensing Capacity (BTU/h)	37500
Air Flow (CFM)	900
Current -12V (Amps)	19
Current-24V (Amps)	10
Weight (Lbs.)	32
*See "Specifications at a Glance" for more detail.	
**Comment: Oil Heat Capacity usually limited by horsepower provided by machine.	



All illustrations and specifications are not binding in detail, designs are subject to modifications and improvements where necessary.